

PCI WATCHDOG TIME CARD

Catalog

PCI WATCHDOG CARD I & II CATALOG

The PCI Watchdog Card is a small PCI card that monitor or refreshes a PC for hardware/software lock !V ups to ensure maximum system availability. It provides a solution for File Servers, Industrial Systems, Telecom, Internet Service Provider (ISP!s), Security Systems and Voice Mail that occasionally locks up but must be available on a continuous basis.

PCI Watchdog I Card



Product Code:
APCIWATCHDOG

The card has the following features :

Watchdog timer that can be set from 500ms to one hour or what ever you need to set the timer via software control.

One externally visible LED shows the status of watchdog card. LED lights after generated reset as a visible indication that a watchdog reset occurred

32 Bits PCI bus with Plug and Play (PnP) features

Pentium and AMD hardware compatibles

Support Windows 98/ME, NT/2000

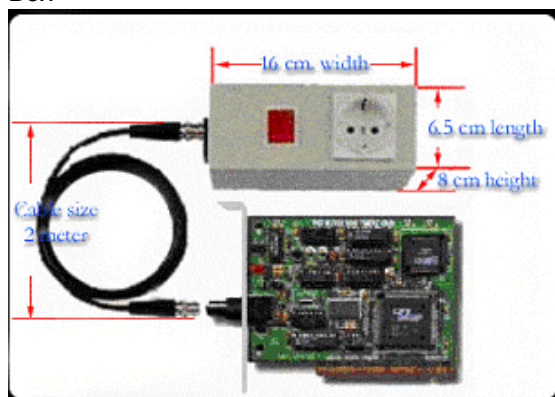
Operating temperature 0 to 60 oC.

Storage temperature -20 to 70 degree

Humidity 5% to 95% in non-condensing

PCI Watchdog II Card With Power

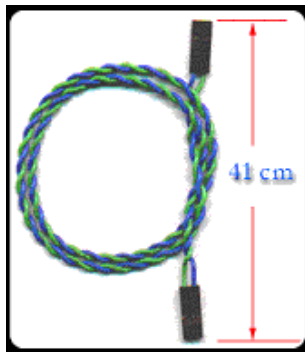
Box



Product Code :

APCIWHDOG/PW/EUR, APCIWHDOG/PW/USA,

APCIWHDOG/PW/UK, APCIWHDOG/PW/AU



PCI WATCHDOG RESET
CABLE

The card has the following features:

Watchdog timer that can be set from 500ms to one hour or what ever you need to set the timer via software control.

One externally visible LED shows the status of watchdog card. LED lights after generated reset as a visible indication that a watchdog reset occurred.

The maximum distance of RG59 cable from the card to POWER CONTROL BOX is up to 500 meters

Available with different volts: 110V and 240V and sockets Europe, USA and Australia type selectable for extension power control box.

32 Bits PCI bus with Plug and Play (PnP) features

Pentium and AMD hardware compatibles

Support Windows 98/ME, NT/ 2000

Operating temperature 0 to 60 oC

Storage temperature -20 to 70 degree oC

Humidity 5% to 95% in non-condensing

SOFTWARE UTILITY TECHNICAL INFORMATION

FOR WINDOWS SUPPORT	MAIN FUNCTION
A. HOW TO SETUP AUTO START UP	To make the program run automatically upon start-up of the PC.
B. HOW TO BYPASS PASSWORD	Provides automatic access to network connection. It bypass the network login password.
C. AUTO MONITORING	This application software is designed to use for PCI Watchdog Card. It will continuously monitor critical specified application software on PC running function. When specified application software fault occurs, the card will automatically generates off power box or reset main board and reboot PC.
D. REMOTE WATCHDOG	Remote Watchdog Application Software is design to monitor the remote server side. Its function is to send data's and information that the remote side will monitor
E. LOCAL WATCHDOG	This basic software is designer to use for PCI Watchdog Card. It will continuously monitor PC critical counter function. When a fault occurs, the card will automatically generates off power box or reset main board and reboot PC.
F. WATCHDOG FILE SYSTEM	This application software is design to use PCI Watchdog Card. It will continuously monitor critical specified file, if the file not updated on time or size never changed on time, the card will automatically generates off power box or reset main board and reboot PC.

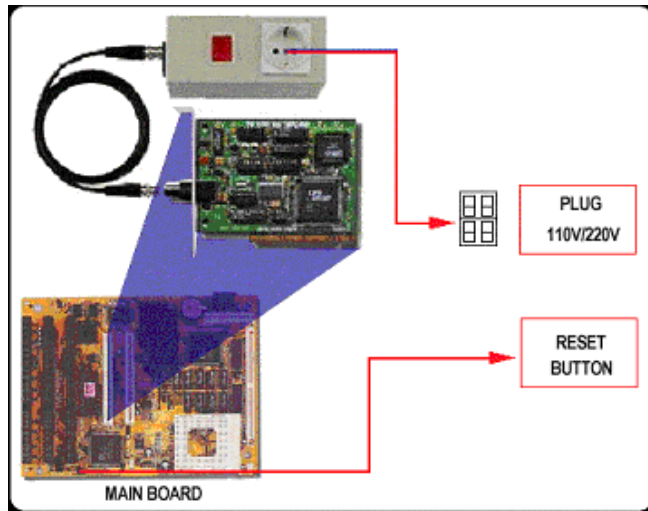
FOR DOS	MAIN FUNCTION
A. TEST SOFTWARE	Test software with source code.

FOR LINUX SUPPORT:	MAIN FUNCTION
A. DEVICE DRIVER	How to install PCI Watchdog Device Driver using LINUX operating system
B. LOCAL WATCHDOG	This basic software is designer to use for PCI Watchdog Card. It will continuously monitor PC critical counter function. When a fault occurs, the card will automatically generates off power box or reset main board and reboot PC

The PCI watchdog card only requires that you have a PCI slot available and a PC with a reset switch. The reset cable is disconnected from the motherboard and plugged into the PCI watchdog card. A cable is provided to go from the watchdog board to the motherboard. When the PC locks up and the watchdog times out, then it will perform the equivalent of a push-button reset.

The PCI Watchdog ships with powerful application & utility programs for control of the board or to make the user can interface their own program to make it work perfectly. Source code is provided for all included software. The watchdog works with most any operating system on a PC. The OCX and drivers are provided for Visual "C" and Visual Basic or any programming language under Win 98-NT & 2000. It also has LINUX support very soon

PCI Watchdog II With Power Box



Hardware Configuration

